

Typical Applications

- Fixed Wireless
- Microwave Radio & Test Equipment
- IF & RF Applications

Main Features

- Wide Band 8 – 12 GHz
- Low Insertion Loss
- Drop-in mounting

Electrical Specifications

Parameter	Unit	Specification
Frequency Range	GHz	8 - 12
Isolation	dB	17 min
Insertion Loss	dB	< 0.6
VSWR		1.35 : 1 max
Average Power	W	5 max CW
In/Out Impedance	Ohm	50 typ.

Mechanical Specifications

Parameter	Unit	Specification
RF connectors		tabs
Finish		Nickle plated

Environment

Parameter	Unit	Specification
Operating Temperature	°C	-40°C to +85°C

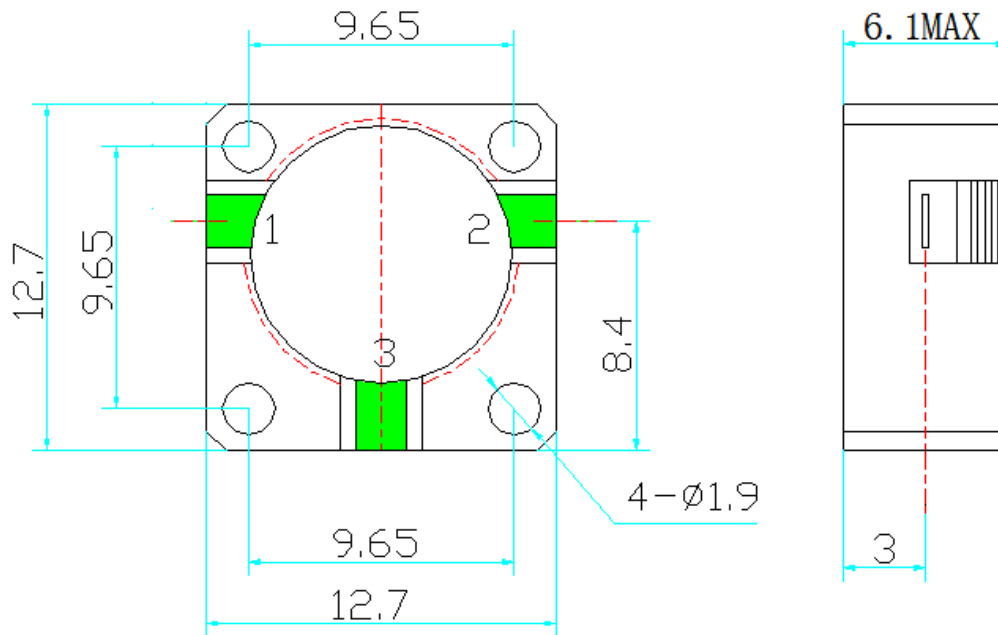
TH04CD01LA

RF Circulator

Outline drawing

All dimensions in mm

Direction : 1 to 2 to 3



Products and Product Information are Subject to Change Without Notice