

Typical Applications

- Microwave Radio & Test Equipment
- SATCOM Applications

Main Features

- Ku-Band Coaxial Isolator
- SMA Connectorized

Electrical Specifications

Parameter	Unit	Specification
Frequency Range	GHz	10 - 14
Isolation	dB	20 min
Insertion Loss	dB	< 0.5
VSWR		1.3 : 1 max
Forward Power	W	5 max CW
Reverse Power	W	1 max CW
In/Out Impedance	Ohm	50 typ.

Mechanical Specifications

Parameter	Unit	Specification
RF connectors		SMA - Female / SMA - Male
Material		Aluminum

Environment

Parameter	Unit	Specification
Operating Temperature	°C	+20°C to +40°C

Products and Product Information are Subject to Change Without Notice

TECHNIWAVE • Chemin de Montfort 78770 THOIRY France • Tél. : +33 (0)1 34 84 37 43 • E-mail : sales@techniwave.com • www.techniwave.com

TECHNIWAVE Proprietary Information • All rights reserved

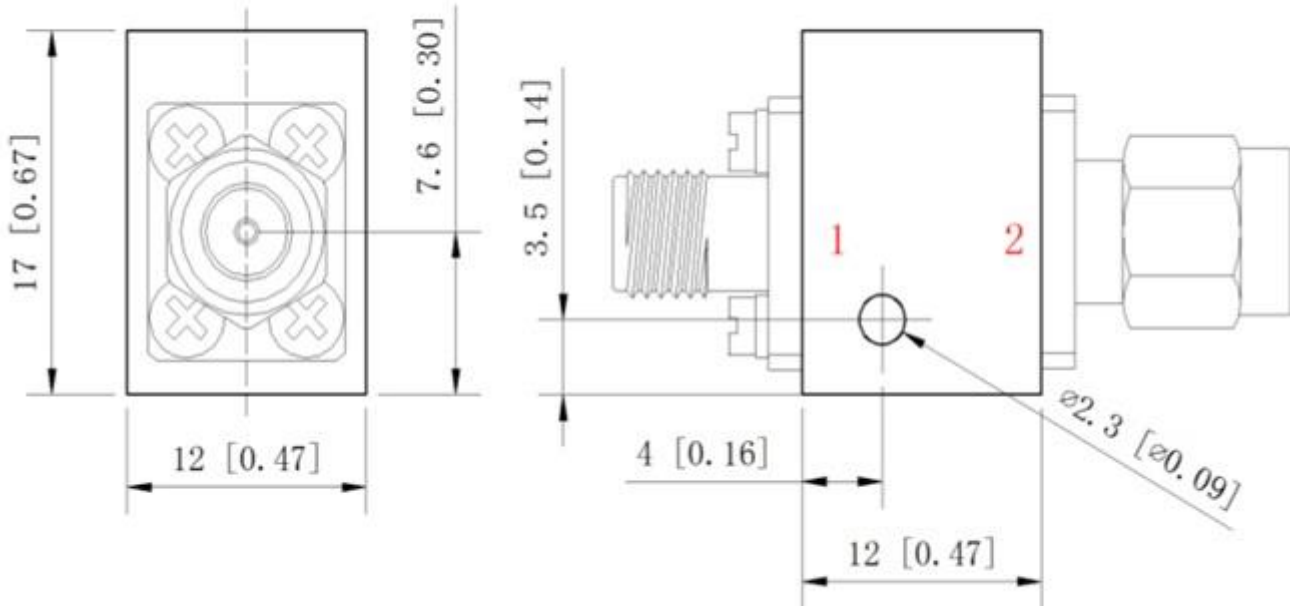
Revision : 00

Date : November 09, 2015

Outline drawing

RF Coaxial Isolator

All dimensions in mm [inch]



Products and Product Information are Subject to Change Without Notice