

TWPLO-3020-4300 PLDRO

Typical Applications

- Aerospace and Military Applications
- Satellite Communication Systems
- Point-to-Point Radios
- Point-to-Multi-Point Radios
- Test Instrumentation
- LMDS

Main Features

- Q-Band PLDRO
- Dielectric Resonator Technology
- Ultra Low Phase Noise
- Ultra Low Microphonics
- Internal Crystal Oscillator Reference
- Low Power Consumption
- RoHs Compliant



Electrical Specifications

Parameter	Unit	Specification
Frequency Output	GHz	43
Power Output	dBm	+13 typ.
Phase Noise	dBc/Hz	-100 min @ 10 KHz
Stability	ppm	+/- 15 max
Spurious level	dBc	-75 min
Harmonics Level	dBc	-25 min
Power Supply	Vdc	+ 15 typ. @ 430 mA
Alarm		TTL
In/Out Impedance	Ohm	50 typ.

Environment

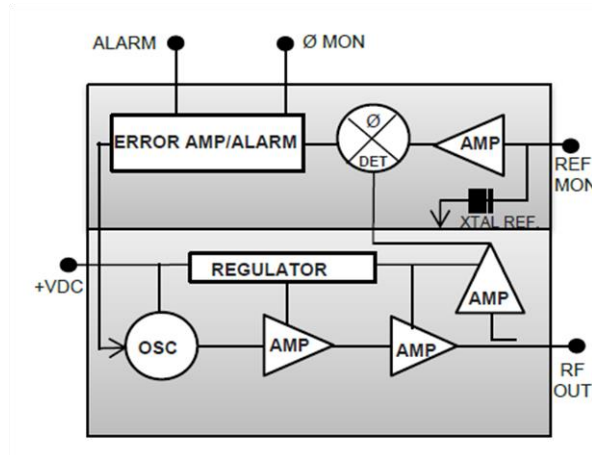
Parameter	Unit	Specification
Operating Temperature	°C	-40°C to +85°C

Products and Product Information are Subject to Change Without Notice

Mechanical Specifications

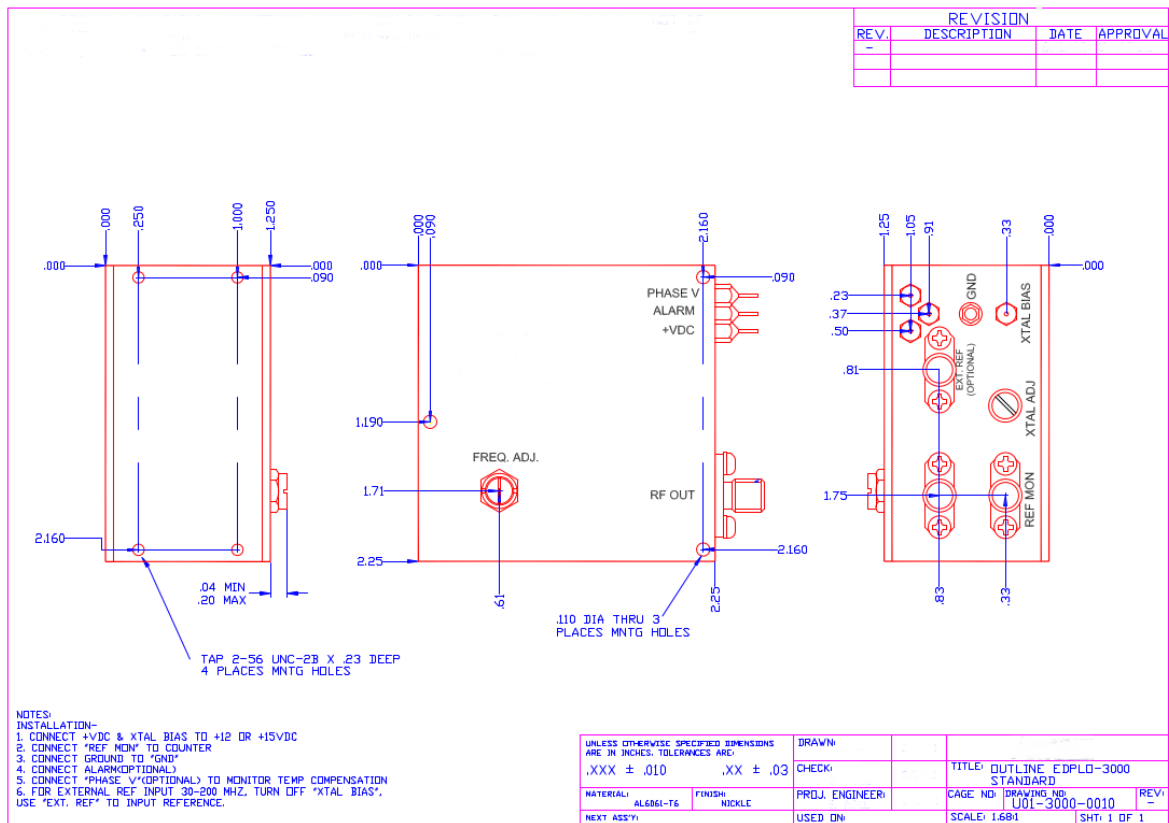
Parameter	Unit	Specification
RF connectors		2.92 mm - Female

Block diagram



Outline drawing

All dimensions in inches



Products and Product Information are Subject to Change Without Notice