

Typical Applications

- Wireless Telecom systems
- Microwave Radio & Test Equipment
- Aerospace and Military Applications

Main Features

- Wideband 7 – 12.4 GHz
- Low Insertion Loss
- SMA Connectorized

Electrical Specifications

Parameter	Unit	Specification
Frequency Range	GHz	7 – 12.4
Nominal Coupling	dB	5 min / 6 typ / 7 max
Frequency Sensitivity	dB	±0.5 max
Insertion Loss	dB	0.3 max (Exclude coupling)
Directivity	dB	13 min
VSWR Primary / Secondary		1.3 : 1 max / 1.3 : 1 max
Power Rating : Average	W	50 max CW
Impedance	Ohm	50 typ.

Environment

Parameter	Unit	Specification
Operating Temperature	°C	-45 to +85

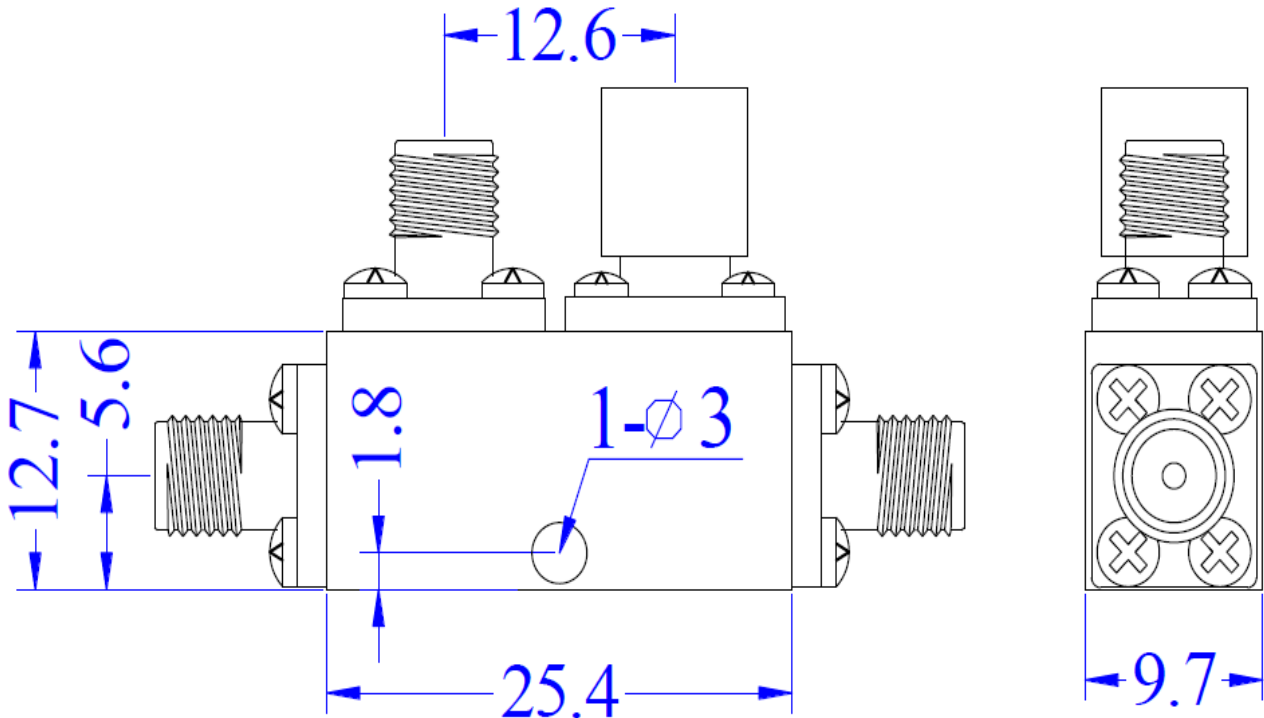
Mechanical Specifications

Parameter	Unit	Specification
In / Out connectors Coupler port		SMA-Female / SMA-Female SMA-Female
Material		Aluminum
Finishing		Gray Paint

Outline drawing

All dimensions in mm

Tolerance ± 0.25



Products and Product Information are Subject to Change Without Notice

TECHNIWAVE • Chemin de Montfort 78770 THOIRY France • Tél. : +33 (0)1 34 84 37 43 • E-mail : sales@techniwave.com • www.techniwave.com

TECHNIWAVE Proprietary Information • All rights reserved

Revision : 00

Date : November 09, 2015