

TWSMAG2-40dB-12G-SMA (M,F)-C

Coaxial Fixed Attenuator

Typical Applications

- Fixed Wireless & Microwave Radio below 12.4 GHz
- Military, Space & Satellite Communications
- Test and Measurement Equipment

Main Features

- Low VSWR
- Flatness Attenuation Value
- SMA Connectorized
- RoHs Compliant
- Custom designs available for other special attenuation value & accuracy



Electrical Specifications

Parameter	Unit	Specification
Frequency Range	GHz	DC – 12.4
Attenuation Value	dB	40 typ.
Accuracy	dB	± 0.5
VSWR Input/Output		1.25 : 1 max
Average Power	W	2 max CW at 25°C
Peak Power	W	500 max (5µs pulse width with 0.4% duty cycle)
In/Out Impedance	Ohm	50 typ.

Environment

Parameter	Unit	Specification
Operating Temperature	°C	-55°C to +125°C

Products and Product Information are Subject to Change Without Notice

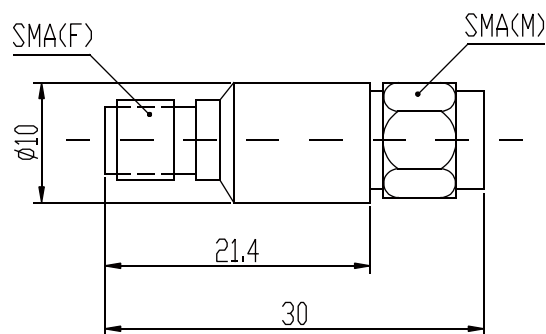
Mechanical Specifications

Parameter	Unit	Specification
RF connectors		SMA – Female / SMA – Male
RF connectors material		Brass Gold Plated or Nickel Plated
Male Pin		Brass Gold Plated
Female pin		Beryllium Copper Gold Plated
Housing		Brass Gold Plated or Nickel Plated, Aluminum
Dimensions	mm	Diameter=10, L=30
Weight	g	10

Outline drawing

All dimensions in mm

Dimensions Tolerance $\pm 2\%$



Products and Product Information are Subject to Change Without Notice

TECHNIWAVE • Chemin de Montfort 78770 THOIRY France • Tél. : +33 (0)1 34 84 37 43 • E-mail : sales@techniwave.com • www.techniwave.com

TECHNIWAVE Proprietary Information • All rights reserved

Revision : 00

Date : November 20, 2015